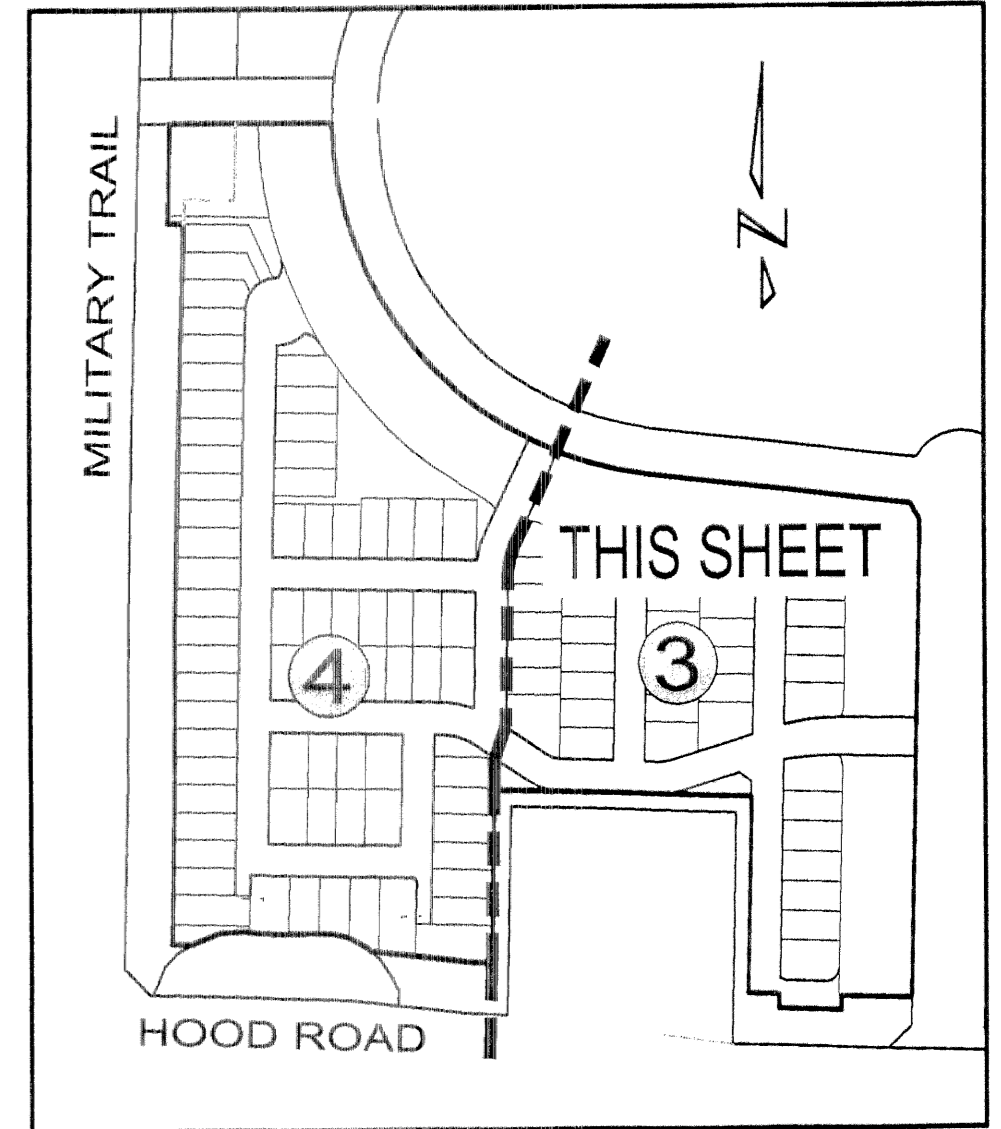
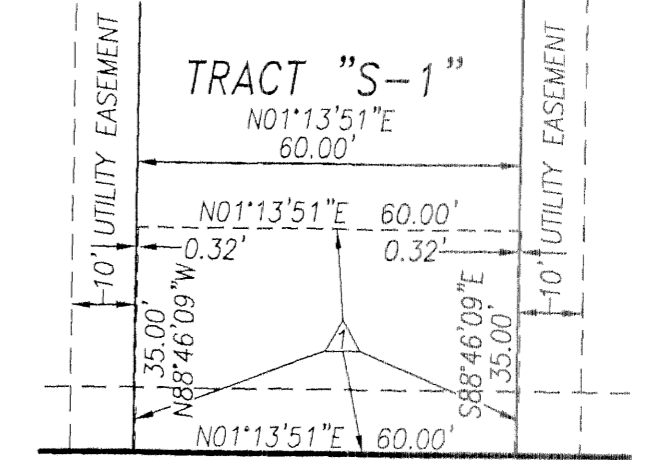
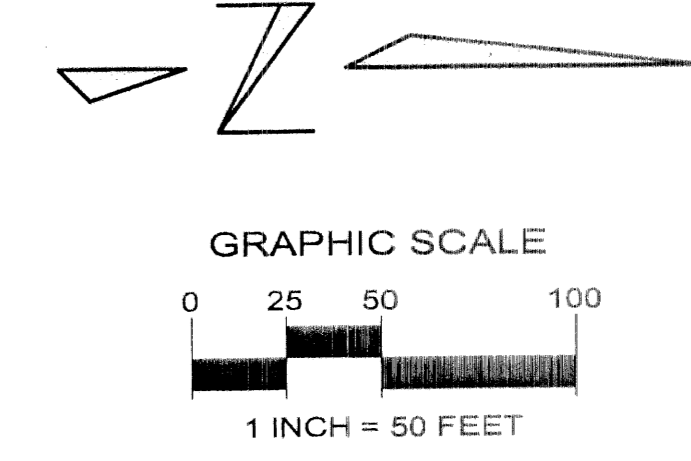
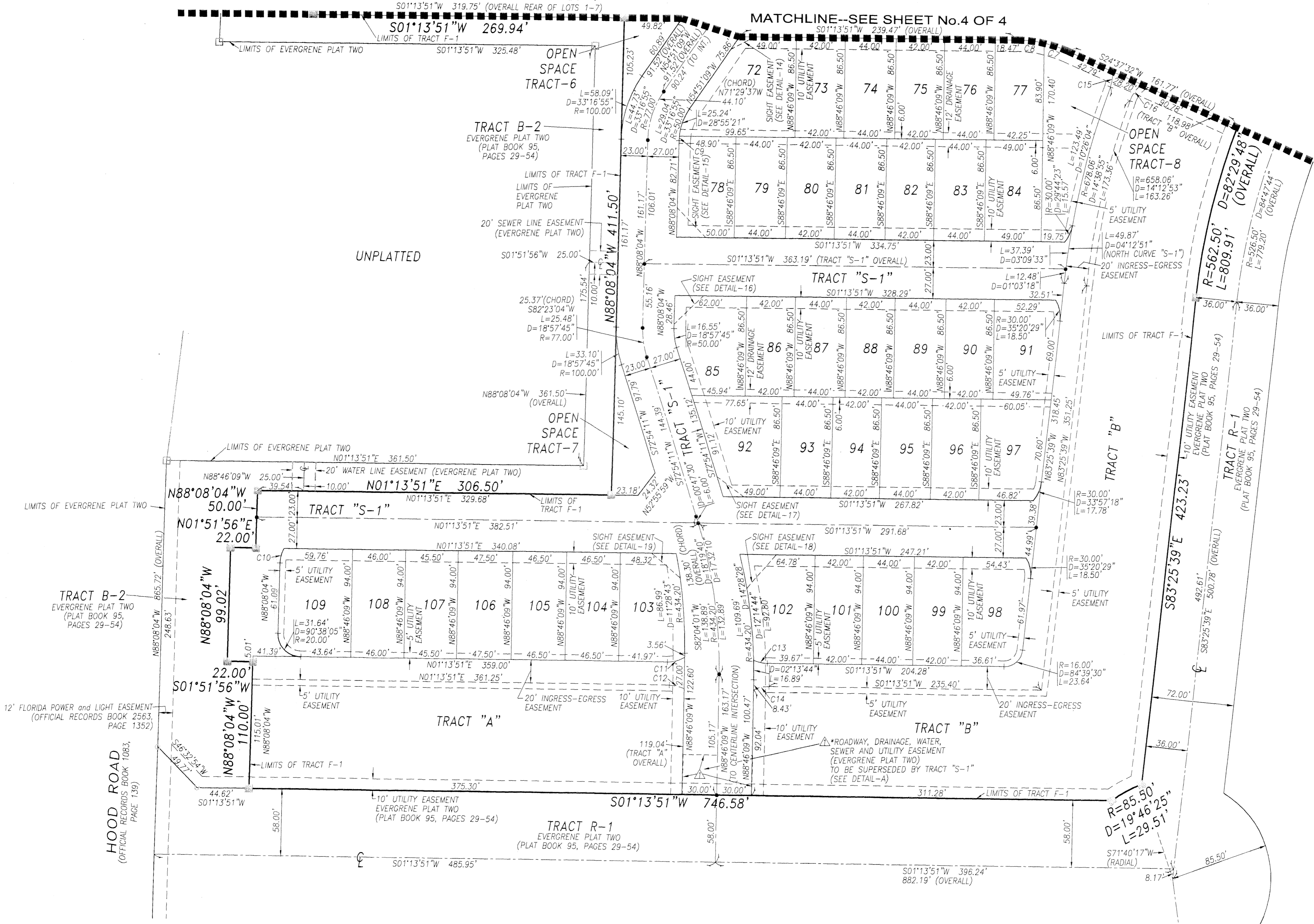


EVERGRENE P.C.D. PLAT THREE

A REPLAT OF TRACTS F-1 AND C-2, EVERGRENE PLAT TWO AS RECORDED IN PLAT BOOK 95, PAGES 29 THROUGH 54, PUBLIC RECORDS OF PALM BEACH COUNTY, FLORIDA LYING IN THE NORTHEAST QUARTER OF SECTION 36, TOWNSHIP 41 SOUTH, RANGE 42 EAST, CITY OF PALM BEACH GARDENS, PALM BEACH COUNTY, FLORIDA

SHEET No.3 OF 4 JULY 2002

MATCHLINE--SEE SHEET No.4 OF 4

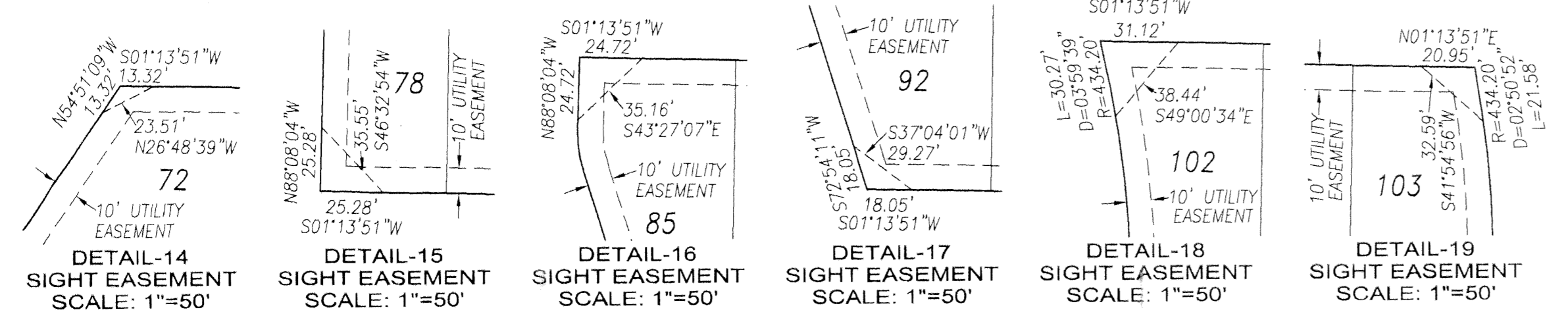


CURVE TABLE			CURVE TABLE			LINE TABLE				
CURVE	LENGTH	RADIUS	DELTA	CURVE	LENGTH	RADIUS	DELTA	LINE	LENGTH	BEARING
C1	3.53'	53.00'	3°49'06"	C12	13.45'	30.00'	25°40'45"	L1	85.05'	S87°31'35"E
C2	25.57'	53.00'	27°38'22"	C13	11.98'	30.00'	22°52'46"	L2	49.85'	S87°31'35"E
C3	21.66'	53.00'	23°24'49"	C14	13.45'	30.00'	25°40'45"	L3	36.01'	S87°31'35"E
C4	20.12'	53.00'	21°45'17"	C15	13.93'	30.00'	26°36'01"			
C5	10.04'	53.00'	10°51'05"	C16	17.72'	30.00'	33°50'08"			
C6	47.51'	160.00'	17°00'45"	C17	6.05'	20.00'	17°19'51"			
C7	20.95'	110.00'	10°54'45"	C18	4.47'	18.00'	14°14'09"			
C8	23.96'	110.00'	12°28'56"	C19	28.63'	30.00'	54°41'08"			
C9	3.80'	50.00'	4°21'34"	C20	28.64'	30.00'	54°42'14"			
C10	13.21'	28.00'	27°01'45"	C21	23.01'	562.50'	2°20'36"			
C11	15.75'	30.00'	30°04'18"	C22	27.01'	562.50'	2°44'28"			

SYMBOLS LEGEND

- SET PERMANENT REFERENCE MONUMENT (P.R.M.) "L.B.4897"
- PERMANENT CONTROL POINT (P.C.P.)
- NORTHERN PALM BEACH COUNTY IMPROVEMENT DISTRICT
- RADIUS
- CENTRAL ANGLE
- ARC LENGTH
- INTERSECTION CENTERLINE
- P.O.B. POINT OF BEGINNING
- P.O.C. POINT OF COMMENCING
- CHANGE IN DIRECTION
- P.S.M. PROFESSIONAL SURVEYOR AND MAPPER
- P.C. POINT OF CURVATURE
- NR NON-RADIAL LOT LINE
- P.R.M. PERMANENT REFERENCE MONUMENT (P.R.M.) "L.B.2936"
- CHANGE OF DIRECTION PER EVERGRENE PLAT TWO
- PER EVERGRENE PLAT TWO (PLAT BOOK 95, PAGES 29-54)

**** NOTE: ALL LOT LINES ARE RADIAL UNLESS OTHERWISE SPECIFIED.**



Keshavarz & Associates, Inc.
 CONSULTING ENGINEERS - SURVEYORS
 1280 N. Congress Avenue, Suite 206
 West Palm Beach, Florida 33409
 Tel: (561) 689-8600 Fax: (561) 689-7476 LB 4897
 THIS INSTRUMENT WAS PREPARED BY MANUEL A. GUTIERREZ, PSM
 PROFESSIONAL SURVEYOR AND MAPPER NO. 4102
 IN THE OFFICES OF KESHAVARZ & ASSOCIATES, INC.